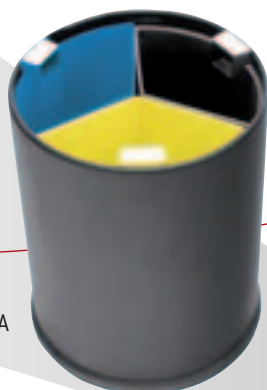


## Sell Sheet WB-1251 WB-1252

### WASTE SEPARATION BASKET

A compact selective waste solution for desk sides in hospitality and office environments. 4 variants available : Satin stainless steel & black metal epoxy, with 3 black or 3 coloured liners.

WB-1251-BLA



WB-1251-SSSTL



WB-1252-BLA



WB-1252-SSSTL



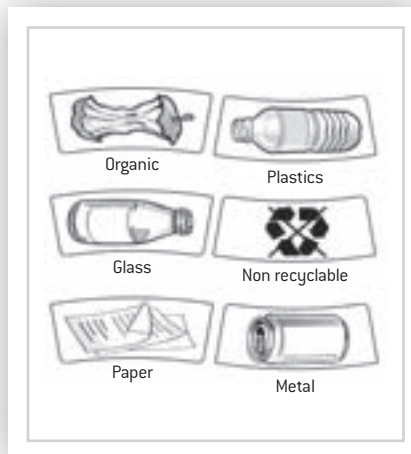
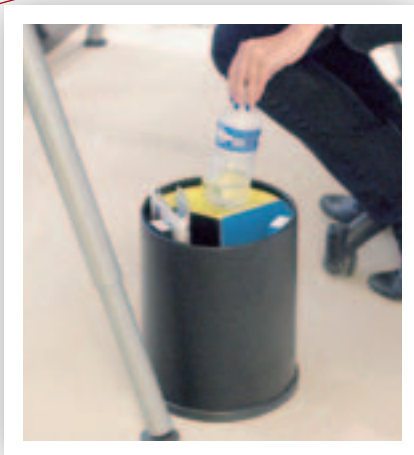
13 L



3 x 5 L



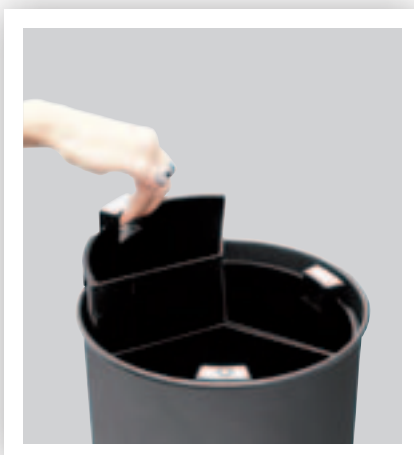
Unique design allowing waste separation of small waste.



Waste identification on compartment handles with pictogram stickers 6 stickers delivered with each unit : Paper/ Plastics/ Metal/ Organic/ Glass/ Non recyclable.



Easily removable using integrated handles.

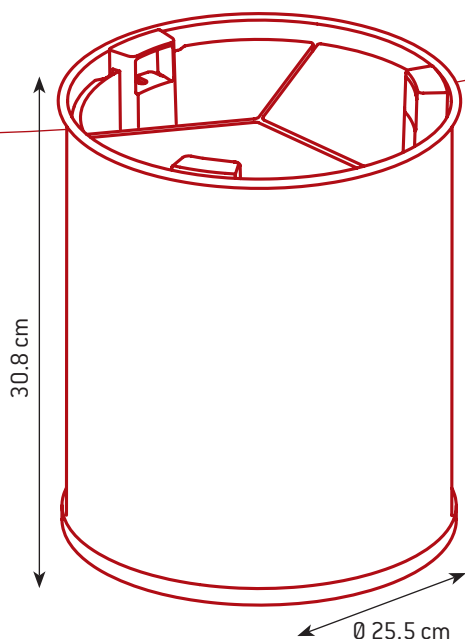


3 liners of 3 L capacity can be used with 5L disposable liners.

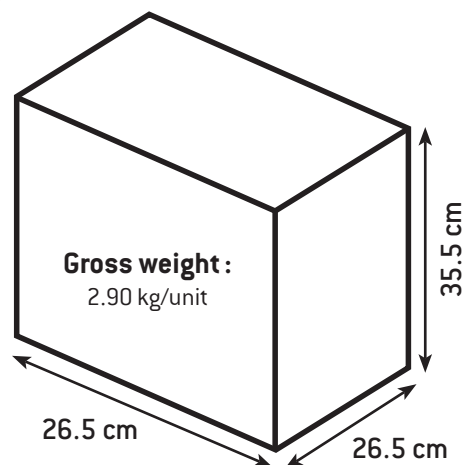


## Technical Sheet WB-1251 WB-1252

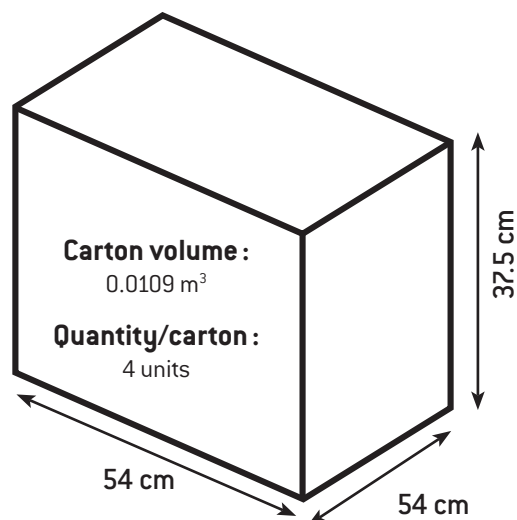
### WASTE SEPARATION BASKET



#### GIFT BOX SPECIFICATIONS



#### CARTON SPECIFICATIONS



#### Product and EAN codes :

WB-1251-BLA: 4897020624424

WB-1251-SSSTL: 4897020624431

WB-1252-BLA: 4897020624516

WB-1252-SSSTL: 4897020624509

#### Materials and Colours :

- WB-1251-BLA: Epoxy black bin with PP black, yellow and blue liners
- WB-1251-SSSTL: Satin stainless steel bin with PP black, yellow and blue liners
- WB-1252-BLA: Epoxy black bin with PP black liners
- WB-1252-SSSTL: Satin stainless steel bin with PP black liners

#### Capacity :

Bin : 13 L

Removable liners : 3 x 3 L

#### Product net weight :

2.36 kg/unit

#### Product dimensions :

(L) 25.5 x (W) 25.5 x (H) 30.8 cm